

# WAWAWAWA

WASHINGTON KITEFLIERS  
ASSOCIATION NEWSLETTER  
FEBRUARY-MARCH  
1992

Dedicated to helping  
people know how much  
fun it is to fly kites!

## Fort Worden Conference Auction

by John Zilar

Just around the corner is the Fort Worden Kitemakers Conference. To tell you the truth, I am getting a little excited! To me, the conference means new friends, renewing old acquaintances, and the start of another year filled with flying fields displaying new thoughts.

One of the other highlights of Fort Worden is the auction. No conference should be without the fun of dreaming of, sharing, and acquiring new treasures. Some of the treasures last year were signed kites (including notables Kathy Goodwind, Joel Sholtz, Lee Toy, Jerry Sinotte, and Charlie Sotich), kiting books by Margaret Greger and Wyatt Brummitt, Japanese collector kites, magazine subscriptions, post card collections, kite pins, kite materials, line winders, pictures, sweat shirts, rubber stamps, and the list continues. Nothing is turned away!

Folks...the auction is one of the more important events! The proceeds are used to defray the cost of acquiring notable speakers. The speakers encourage innovation—new colors, new designs, new techniques.

So, my avid kite enthusiasts, let's all dust off the kite bags, look through your closet of hidden treasures, and come to Fort Worden laden with your treasures to share at the auction.

The Zilars will be there to receive your donations. Let's all continue to make these conferences successful. See ya at F.W.

## Note To Non-Kitemakers

Fort Worden is a kitemakers conference, and attracts many very talented and creative teachers and students. HOWEVER, even if you do not make kites, or are just starting to learn, it is a great opportunity to learn about kites and kite flying, and meet new and interesting people. It is also wonderful to be there and see new creations being born, and wander around and see all the beautiful kites on display.

## Story-Telling Contest?

There is a new event under consideration for Fort Worden this year. Plans are still a little loose, but the idea is to have a kite story-telling contest during the break between Saturday's dinner and David Bogie's slide show. The concept is that any interested participant would have three minutes to tell a kite-related story. A winners (or winners, depending on the number of participants) could be chosen by audience applause. If there is a lot of response, we could consider having more than one category, such as: most entertaining, most educational, most inspirational, whatever Dave Weigand will be emceeing the contest, so if you have ideas concerning a format, or just want to make sure you get your turn to tell a story, talk to Dave.

## IN THIS ISSUE

CHRISTMAS PARTY .....	3
CLASSIFIED .....	6
FORT WORDEN	
AUCTION .....	1
FORT WORDEN	
INFORMATION .....	10
KITE CALENDAR .....	6
KITE DISPLAYS .....	2
KITE PATTERN .....	8
LETTERS .....	12
OFFICIAL BUSINESS	
ELECTION RESULTS .....	4
MEETING NOTES .....	7
PRESIDENT'S LETTER .....	7
PROTEST THE BOWLS	
FLY .....	2
REGIONAL REPORTS .....	4
STORY-TELLING	
CONTEST .....	1

The next General Membership Meeting will be held Friday, March 6th at the Fort Worden Kitemakers Conference. Further details about time and location will be available at the conference.

## Kite Displays

by Tom Sisson

The WKA has again been asked to hang a kite show at the Pacific Science Center. This will be the 17th year we have had kites at the Center!

We would appreciate the loan of attractive or unusual kites for this exhibition. We also can use your help hanging kites at the Science Center on Friday, March 27th, from 5:00 p.m. until we get them up. Please call Tom Sisson at (206) 725-3615 if you can help on the 27th.

An important part of the Science Center Kite Exhibition is the two-day Kite Fair on Saturday and Sunday, April 4th and 5th, when the WKA helps hundreds of kids build their own kite. If you are interested in helping kids make kites during this weekend, please let Tom know what time on Saturday or Sunday you may be available.

Also, the Washington State Convention Center in Seattle has asked the WKA to do a kite display during the month of August. We realize that this is prime flying season, but this is an opportunity to have your kite viewed by people from all around the world. Please call Tom and let him know what kite(s) you may be willing to lend for the month.



Dave Weigand and Garth Westhoff adjust the bridling on our WKA club kite on New Years Day at Golden Gardens Park.

## Protest The Bowls Fly

by Steve Millspaugh

The "Protest The Bowls" fly at Golden Gardens Park on New Years Day, was a resounding success. This, the oldest continuing fly on the WKA schedule, was especially good this year. Why? We had WIND! We had SUN (although the temperature was not particularly high)! We had PEOPLE! And we had KITES! There were kites of all types and sizes, lots of people (both WKA members and new folks as well), there was a lot of press coverage, there was food and hot cider—just an all-around good time. The rains came late in the afternoon, but not before the event was a success by any standards.



Carl Crowell takes an exotic new creation on a maiden flight at Golden Gardens Park.

Photos on this page by Judy Millspaugh

## WKA Newsletter

February-March

1992

The Washington Kitefliers Association Newsletter is published six times a year by the Washington Kitefliers Association.

Primary Contact/Coordinator

Steve Millspaugh

(206) 885-0203 (evenings)

Editor

Judy Millspaugh

(206) 885-0203 (evenings)

Advertising

Dave Weigand

(206) 948-4560

Mailing List

Maura Alford

(206) 888-2812 (evenings)

Calendar

Darryl Stephison

(206) 432-1931 (evenings)

The Editor encourages your participation in your newsletter, and requests that you send your contributions pertaining to kite flying. Submissions that illustrate how much fun it is to fly a kite will be given priority for publication. Mail submissions and photographs (include the name, address and telephone number of the source) along with a stamped, self-addressed envelope of sufficient size and postage (if you want your photographs back) for return to Judy Millspaugh, 7573 Old Redmond Road, No. 5, Redmond, Washington 98052. The deadline for all submissions is the 15th of the month prior to the issue — March 15th for the next issue. All submissions will be considered for publication.

## WKA Christmas Party

by Steve Millspaugh

Thanks to the efforts of Jean and Tom Sisson, along with Barabara Anne O'Neil, the WKA had a great Christmas party potluck on the seventh of December at the Jefferson Park Lawn Bowling Club's clubhouse. Tom is a member of the lawn bowling club, and suggested the site for WKA use. It was great! The clubhouse is just the right size for a group like ours (until attendance improves a LOT), and features a magnificent view of the City of Seattle.



Maura Alford, Kelci and Morrie Williams, Stu and T.J. Murphy, Steve Millspaugh, and Bob Alford cutting up at the Christmas party.

The turnout was pretty good by WKA standards, with about 40 members attending. The food was outstanding! If I had realized what a great bunch of cooks we had in the club, I might have pushed harder and earlier for Barbara's idea of doing potlucks. The evening was NOT about club business, just a gathering for discussions, eating, viewing of kite videos, eating, looking at picture albums, eating, giving away of door prizes, and eating. Stu Murphy is getting pretty good with his video camera. I'll bet there are others out there with some good footage to share at future events.



Sam Houston with an original kite he brought for "show and tell" at the party.

Photos on this page by Jean Sisson

Attendees included members from throughout the state, not just Seattle, which I found to be very encouraging.

The WKA membership showed the Christmas spirit by donating more than 150 pounds of food for distribution to the food bank. Thanks to all of you who showed your generosity.

We also had a potluck at the same location for the January general membership meeting, which was also a success! I hope that this trend continues in 1992, and that we can continue to put the emphasis on fun, sharing, and food at WKA functions in the coming year.



Margaret Holzbauer, Bob Hanna, Jean and Tom Sisson, Garth Westhoff, and Duane Davis

## Election Results

by Steve Millspaugh

As we head into 1992, the WKA has elected a new slate of officers and board members. On behalf of the club, I would like to thank all the members who ran for office; it was very rewarding to see that there are enough members willing to be involved and active in the club to generate a real election. The outcome was quite close, in fact we had a tie in the voting for Vice-President. Nobody had quite anticipated such an eventuality, and there was no procedure set forth in the by-laws to resolve the matter. We decided to hold a run-off vote at the January General Membership meeting. Listed below is your WKA leadership for 1992.

### WKA Officers

#### President

Dave Christenson (206) 471-9103

#### Vice President

Stu Murphy (206) 271-7941

#### Secretary

Bob Alford (206) 888-2812

#### Treasurer

Kelci Williams (206) 788-6355

### Board Members

#### Newsletter

Judy Millspaugh (206) 885-0203

#### Membership

Maura Alford (206) 888-2812

#### Products

T. J. Murphy (206) 271-7941

#### Special Events

Charles Whitaker (206) 772-1025

#### Education

Tom Sisson (206) 725-3615

and

Garth Westhoff (206) 827-1857

#### Safety

Stu Murphy (206) 271-7941

#### Merchant Liaison

Ken Conrad (206) 624-6886

and

Dave Weigand (206) 948-4560

#### Past President

Steve Millspaugh (206) 885-0203

## Regional Reports

### Pierce County Kitefliers Association

Contact Mainframe Kite Shop (206) 627-1653, 3340 East 11th Street, Tacoma, Washington 98421.

PCKA hosted a holiday potluck and auction for December. We had a brass quartet playing Christmas carols, a whole bunch of free prizes, and even Santa attended! Over 50 items were auctioned off, raising enough money for some new pins, and maybe even some club t-shirts.

We'll be having Greg Hodges as a guest speaker at the January meeting. Greg will be telling us about his adventures in China, while touring through the kite making factories there.

And the latest news — PCKA's Vice President, Dave Christenson, is now WKA's President. Congratulations, Dave!

*\*\*The Second Annual PCKA Crystal Mountain Fun Fly date has been changed to Saturday, July 11th through Sunday, July 12th. It will now run two days. Saturday, we'll have a People's Choice contest for handcrafted kites, team exhibition flying, kitemaking for kids, etc. Sunday will be a free fly. We'll keep you updated on this.\*\**

The Pierce County Kitefliers Association meets the last Wednesday of every month, 7:00 pm at Mainframe Kite Shop in Tacoma. PCKA membership is \$5 yearly, individual or family. Five-color enamel pins are also available for \$5.

### Snohomish County Incredible Flying Individuals

Contact Robin Haas at (206) 670-3963, or Dawn Clark at (206) 339-9334.

The members of SCI-FI would like to wish everyone a Happy New Year! We are looking forward to another year of great flying and fun.

SCI-FI has been evolving since it was founded. Our main emphasis is still on having fun and sharing the joy of kite flying with each other. As a group, we felt the need to be just a little bit more organized than we have been. In order to do this, we have elected officers, and have developed by-laws that are basically an adaptation of the WKA by-laws. We invite everyone to come and at least visit us.

In order to make us a little easier to find, we have changed our meeting times a bit. We still have our fun fly on the first Sunday of each month at the Marine Park and Boat Launch in Everett. Instead of a potluck dinner, we are now meeting on the fun fly days at Alf's Pizza on Broadway, at 12:30 pm for lunch and to take care of any business.

### Kite Group of Boise

Contact David Bogle, kgb (208) 336-2038, 1411 North 25th Street, Boise, Idaho 83702

Members of the kgb met at the Broadway Shilo Inn in Boise on Wednesday, January 15th, for a rokkaku workshop. Mick Dahms and Dean Bigler had handed out blank tyvek skins a few weeks earlier, encouraging us to decorate them lavishly. Marker and acrylic paints were the media of choice, and some remarkable art will soon be flying in the skies above Ann Morrison Park.

The workshop started with two lectures presented by National Oceanic and Atmospheric Administration (NOAA) employees. With the use of a quick home video, we were treated to a capsulated history of the use of kites at the Weather Service. The second presentation was on how to estimate the local near-surface wind conditions by observing prevailing cloud patterns.

In appreciation for their time and efforts, we sent them on their way with a custom windsock made by Mick Dahms, and a new respect for the current innovations in kites.

We then watched part of Skye Morrison's terrific video "KITE CRAZY" for the basic instructions for our rokkaku kites. In spite of having a bunch of brittle dowels that snapped easily, within an hour we had a dozen beautiful kites ready to fly.

Brad Potts organized the workshop, arranged for the facilities, and contacted the NOAA folks. Brad was impressed with NOAA's willingness to participate, and suggests you contact your local office for possible speakers for your club meetings.

We're preparing our caravan to Fort Worden, and beginning negotiations with Albertsons Food Stores and Boise Parks for the upcoming Boise Kite Festival. Two or three major sponsors have had to back out of the event, so we're in a pinch to get about 300 kites purchased to give away to the younger participants, and to have our promotional materials printed. Its gonna happen anyway, so put it on your calendar: Saturday, April 25, 1992.

Among the members of the kgb we can usually accommodate a few out-of-town guests, so give me a call if you think you can make our festival. Its a chance to be a very big fish in a very small pond.

See you all at Fort Worden!

#### **Yakima Valley Kite Flyers**

Contact Rod Yarger (509) 453-4679, 209 North 24th Avenue, Yakima, Washington 98902

3rd Annual Yakima Valley Kite Festival  
"Fun in the Yakima Sun"

Come and join the Yakima Valley Kite Flyers for a fun-filled weekend June 13th and 14th (Flag Day) at our new location, Fulbright Park in Union Gap, Washington. This beautiful park has easy access, is close to town, and consists of 80+ acres of unobstructed, level flying fields! It is also the home of the Central Washington Agricultural Museum, and has hiking trails that view the valley.

We will offer single line events and a Rokkaku challenge, as well as individual and team stunt games and demonstrations. There will be vendors and entertainment at the park.

On-site dry camping, drinking water, and restrooms will be available starting Friday. There are motels just minutes from the park. Be sure to make your reservations early. (See list of local motels.)

Saturday night, the Yakima Valley Kite Flyers will again host a flyers BBQ. We will provide hamburgers, buns, condiments and dinnerware. We are asking you to bring either a salad, chips and dip, beans or dessert.

If you have any questions, you may call Debbie Rodgers during the day at (509) 966-2249, or Pat Teague after work at (509) 966-3812. This will be the best Yakima Festival yet! Do not miss the "FUN IN THE YAKIMA SUN".

Local Motels:

Days Inn (509) 248-9700, or (800) 325-2525, 2408 Rudkin Road.

Huntley Inn (509) 248-6924, or (800) 448-5544, 12 East Valley Mall Boulevard

Super 8 Motel (509) 248-8880, or (800) 800-8000, 2605 Rudkin Road

La Casa Motel (509) 457-6147, 2703 South Main Street

#### **Capitol City Flyers**

Leroy Peoples wrote me recently to let us know that the folks in the Olympia area have started a club called the Capitol City Flyers. Unfortunately, I lost the letter with his phone number and other information. I'm sorry about that, Olympia folks. Hopefully he (or other members) will re-contact me after seeing this.

#### **Westport Windriders**

Contact Chuck Reese (206) 875-6385, P.O. Box 233 South Bend, WA 98586. The Westport Windriders host a fun fly and a meeting featuring potluck dinner on the fourth Saturday of each month.

#### **Ben Franklin Kite Society**

Contact Larry or Marleen Zilar (509) 586-2664, 1030 West 14th Avenue, Kennewick, WA 99337; or Greg or Margaret Greger (509) 943-3951. To get a BFKS patch (\$3.50) or a BFKS pin (\$4) and a free BFKS membership, send check to Larry Zilar at the address shown above. Please make checks payable to Larry Zilar.

#### **Squalicum Kite Flyers**

Contact Don or Shirley Allen (206) 733-3777, 505 West Baker-view, No. 114, Bellingham, WA 98226.

#### **Lavender Winds Kite Club**

Contact Brian Bradley (206) 896-6190, P.O. Box 5396, Vancouver, WA 98668.

#### **S. F. Cody Kite Society**

Contact Rick Brown (503) 689-8175, 1082 Bethesda Street, Eugene, OR 97402. Membership \$7, includes quarterly newsletter.

#### **Associated Oregon Kitefliers**

P.O. Box 25616, Portland, OR 97225. Membership \$7, includes bimonthly newsletter.

#### **British Columbia Kitefliers Association**

P.O. Box 35653, Station E, Vancouver, BC V6M 4G9, Canada. Membership \$8 (US—money orders only, please).

## Kite Calendar

The WKA attempts to provide accurate and timely kite calendar information for its members. However, all listings are subject to change. We recommend that you call the contact listed to verify details.

### FEBRUARY

**February 2 (Sunday)**, SCI-FI Fun Fly & Potluck, 10 am, Marine Park, Everett. Contact Dawn Clark, OGO Fly a Kite (206)339-9334.

**February 9 (Sunday)**, PCKA Fun Fly, Fort Steilacoom Park in Lakewood. Contact Mainframe Kite Shop (206)627-1653.

**February 9 (Sunday)**, BFKS Fun Fly, 12 noon, Columbia Point Marina Park, Richland. Contact Greg Greger (509)943-3951.

**February 22 (Saturday)**, Westport Windriders Fun Fly and Potluck, 10 am, Twin Harbors State Park, Westport. Contact Pic-A-Patch Kites (206)268-0877.

**February 26 (Wednesday)**, WKA Board Meeting, 7 pm, 12515 Willows Road, Suite 220, Kirkland. Contact Dave Christenson (206)471-9103.

**February 26 (Wednesday)**, PCKA Meeting, 7 pm, Mainframe Kite Shop, Tacoma. Contact Matt or Jessica Palmer (206)627-1653.

### MARCH

**March 1 (Sunday)**, SCI-FI Fun Fly & Potluck, 10 am, Marine Park, Everett. Contact Dawn Clark, OGO Fly a Kite (206)339-9334.

**March 1 (Sunday)**, Cody Kite Fly, Blue Lake Park, Portland. Contact Paint The Sky Kites (503)222-5096.

**March 6-8 (Friday-Sunday)**, 9th Annual Fort Worden Kitemakers Conference, Fort Worden State Park, Port Townsend. Contact Kelci Williams (206)788-6355.

**March 6 (Friday)**, WKA General Membership Meeting, 7 pm, Fort Worden State Park, Port Townsend.

**March 8 (Sunday)**, BFKS Fun

Fly, 12 noon, Columbia Point Marina Park, Richland. Contact Greg Greger (509)943-3951.

**March 25 (Wednesday)**, PCKA Meeting, 7 pm, Mainframe Kite Shop, Tacoma. Contact Matt or Jessica Palmer (206)627-1653.

**March 28 (Saturday)**, Westport Windriders Fun Fly and Potluck, 10 am, Twin Harbors State Park, Westport. Contact Pic-A-Patch Kites (206)268-0877.

### APRIL

**March 28 (Saturday) - April 26 (Sunday)**, 14th Annual Pacific Science Center Kite Exhibit, Pacific Science Center, Seattle. (Join us on Friday, March 27th at 5:00 pm to hang kites for the exhibit.) Contact Tom Sisson (206)725-3615.

**April 4-5 (Saturday-Sunday)**, 14th Annual Kite Fair, 10 am, Pacific Science Center, Seattle, making kites with kids. Contact Tom Sisson (206)725-3615.

**April 4-5 (Saturday-Sunday)**, 8th Annual Welcome Spring Kite Festival, 9 am, On the Beach, Ocean Shores, competition. Contact Mike Brown, Ocean Shores Kites (206)289-4103.

**April 5 (Sunday)**, 11th Annual Tri-Cities Spring Fly-In, 12 noon, Leslie Groves Park, Richland, fun fly & picnic. Contact Greg Greger (509)943-3951.

**April 5 (Sunday)**, SCI-FI Fun Fly & Potluck, 10 am, Marine Park, Everett. Contact Dawn Clark, OGO Fly a Kite (206)339-9334.

**April 11 (Saturday)**, 4th Annual Bellevue Kite Day, 10 am, Downtown Bellevue Park, Bellevue, family fun with competition for children. Contact Darryl Stephison (206)432-1931.

**April 22 (Wednesday)**, WKA Board Meeting, 7 pm, 12515 Willows Road, Suite 220, Kirkland. Contact Dave Christenson (206)471-9103.

**April 25 (Saturday)**, 8th Annual Boise Kite Festival, 12 noon, Ann Morrison Park, Boise, Idaho, family fun with KGB flying demon-

strations. Contact Dave Bogie (208)336-2038.

**April 25-26 (Saturday-Sunday)**, Puffin Kite Festival, Cannon Beach, Oregon. Contact Rick Talbott (503)324-5070.

**April 25-26 (Saturday-Sunday)**, 6th Annual Kiona Winery Barrel Opening and Kite Fly, 12 noon, Kiona Winery, Benton City, fun fly and picnic. Contact Larry Zilar (509)586-2664.

**April 25 (Saturday)**, Westport Windriders Fun Fly and Potluck (Annual Trlby Party), 10 am, Twin Harbors State Park, Westport. Contact Pic-A-Patch Kites (206)268-0877.

**April 29 (Wednesday)**, PCKA Meeting, 7 pm, Mainframe Kite Shop, Tacoma. Contact Matt or Jessica Palmer (206)627-1653.

Also in April look for the All City Kite Show at Franklin Park in Spokane, and the Japan Kite Festival Tour departing from Seattle. Check the Kite Calendar in future issues of the WKA Newsletter for further details.

## NOTICE

Event organizers: Please think ahead. Contact Darryl Stephison at (206) 432-1931 by the first of odd numbered months with Kite Calendar information. Please include, as a minimum, the date, time, place, contact person and phone number. We welcome other information, including articles about events that we can publish elsewhere in the newsletter. News about upcoming events is an important part of our newsletter. Please help us to be as complete as possible.

Also, we try to keep a file of events up to a year in advance. We try to help organizers pick days which will avoid conflict with other events. If you are considering a new event, please feel free to call. We will be glad to share the information with you.

## President's Letter

by Dave Christenson

Hello, and welcome to another New Year with the WKA. I would like to take this time to thank the people who returned their ballots for the 1992 elections.

When you see people walking around at the festivals and other kiting events talking to almost everyone, examining their kites, I'm more than likely the guy with the loud pants in the middle. My wife, Susie, says that I spend more time talking to people about kiting than flying my own kites. Oh well, I'm still having fun. Isn't that what kiting is all about? Having FUN!

Please don't be afraid to come up and say "Hi" whenever you see me. If you have a suggestion or even a complaint, let me and the officers and board members know. Remember that this is your club and you have a voice in it. Don't be afraid to use it.

I believe the club is doing great, and I hope that we can continue to improve it for everyone. I would like to see the membership meetings be less formal and more fun. If you have any ideas, please let me know. The board and I cannot make this a

better organization if you don't communicate with us. I truly believe that all of the past officers and board members have done an outstanding job, and I hope to be able to do the same.

To all of you folks that didn't make it to the Protest The Bowls Fly, you missed a great one. I believe this was the largest turnout in recent years. There was also plenty of wind for everyone!

Don't forget that Fort Worden is coming up. Be sure to get your reservations in. I hope to see you there.



New President Dave Christenson at the WKA Christmas party, displaying a rokkaku he built.

Photo by Jean Sisson

## Meeting Notes

by Bob Alford

The General Meeting was held at the Jefferson Lawn Bowling Clubhouse on January 4, 1992, with thirty-five members present. The meeting was called to order by outgoing President Steve Millspaugh at about 7:30 pm. Since the minutes for the previous Board and General meetings had appeared in the current newsletter, the reading of those minutes was deemed to be unnecessary. After Kelci provided a Treasurers report, we had a Fort Worden status report, and news that wind, good weather, and multi-

tudes of people came to the annual Protest the Bowls Kite Fly.

In a close, sudden-death tie break election, Stu Murphy was elected as our new Vice-President over Dale Morgan.

Tom Sisson asked for members to bring some of their favorite (and/or) pretty kites for display at the Pacific Science Center during the month of April, and also at the Washington State Convention Center later in the summer. He would also appreciate some volunteers to help hang the kites.

At 7:45, Steve turned over the reins to our new President, Dave Christenson. After noting that the next Board meeting will be

held in Kirkland on February 26th, and the next General meeting is at Fort Worden on March 6th, we moved on to the IMPORTANT business...DOOR PRIZES!

In a miraculous display of sleight of hand, Jamie Alford drew the numbers of her parents and herself. This was no small feat, considering that she shared the drawing duties with Nina Conrad.

Your Secretary would like to take this opportunity to thank the outgoing officers and board members for their efforts, and to welcome our new (and not so new) ones.

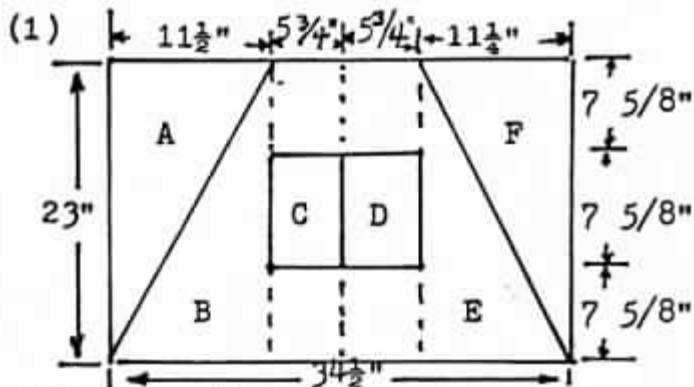
Thanks, and Welcome Aboard. Fly well and prosper!!

## Delta-Conyne

An inexpensive, easy-to-build, light-weight, low-wind, high-angle flier that can be made from any trash bag or shopping bag. Originally developed by Leonard M. Conover to use every square inch of a standard 20" x 30" piece of tissue paper. This design is an adaptation by Jack Van Gilder. Thanks to Ken Conrad for digging it out of the archives for our newsletter.

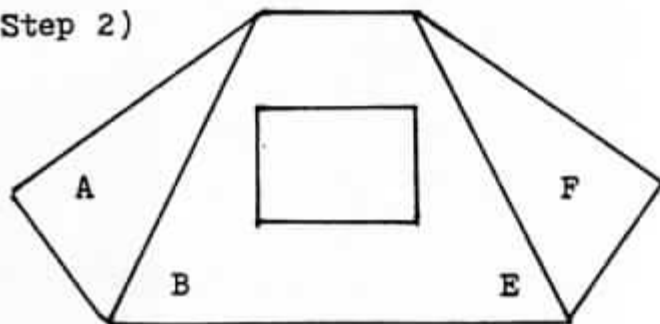
## Materials:

- 1 - plastic bag, 20" x 24"
- 2 - dowels, 1/8" x 16-1/2"
- 2 - dowels, 1/8" x 23"
- 1 - dowel, 3/16" x 23"
- 1 - dowel, 3/16" x 25"
- Tape, bridle string



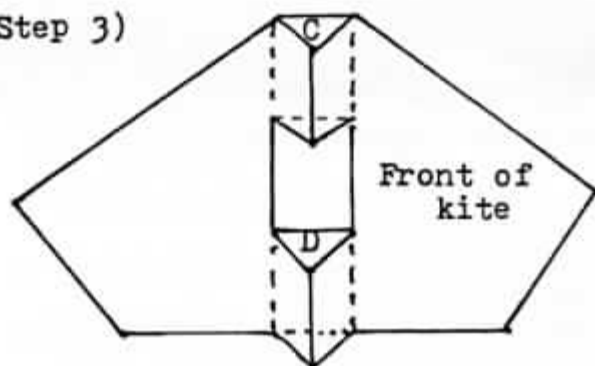
Cut on solid lines, fold on dotted lines

(Step 2)



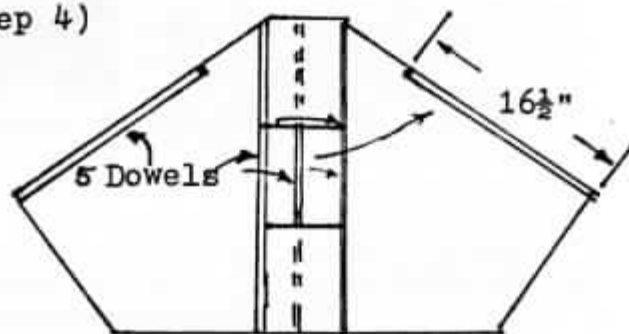
Remove sections "C" and "D". Flip sections "A" and "F" upside down and join to sections "B" and "E".

(Step 3)



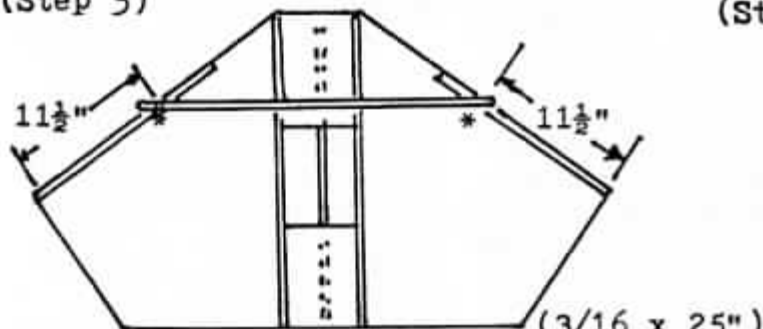
Fold up centerline. Join sections "C" and "D" to back of kite to form two triangular box sections, top and bottom.

(Step 4)



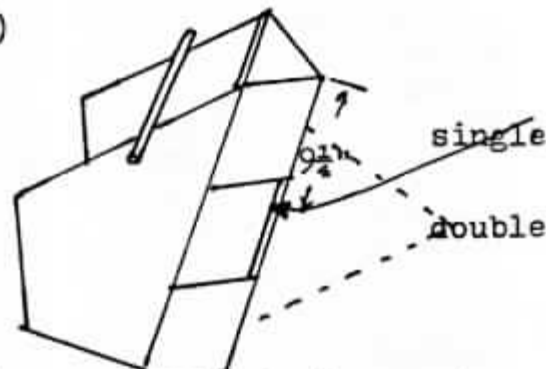
Attach 16 1/2" sticks to leading edge of wings. Attach 2 23" sticks to back of triangular box. Attach 1 3/16 x 23" stick inside triangular box, at center, bottom, temporarily.

(Step 5)



\* attach "spreader bar" (3/16 x 25") with rubber band, using "Larkhead" knot.

(Step 6)



Bridle may be single-leg string about 9 1/4" from front or 2-legged as shown in dotted lines. Kite will need testing to set bridle permanently.

**FOR SALE: LAND SAILER, 3-**wheeled, foot steering, 59 sq.ft. of sail. Take the sail off and fly your stunters like Peter Lynn. Powered down the beach by kite. Two-person. \$400. Larry Zillar (509) 586-2664.

**WKA PINS**

Pins are available for \$5 each, or in lots of 25 for \$75 (only one package of 25 left). Order pins from WKA Products Chairman, T.J. Murphy, 11826 S.E. 165th, Renton, WA 98058.

**CLASSIFIED**

**USED KITES FOR SALE**


6 foot red/white/blue Greens Cody - \$100; 13 foot Rainbow Sun Oaks Delta Conyne - \$125; 140 square foot Mini Jalbert Parafoil - \$300/OBO; 150 square foot Orange StuntFoil - \$300/OBO; 3 metre blue/white Carp Windsock - \$45. Please contact Jon Nilan at (206) 527-9408; message (206) 789-6338.

**"KITESHOW V" VIDEO**

Silent Show - NO SOUND-TRACK! Runs 30 minutes. Send only high-quality, brand-name blank VHS tape and check for \$5 to cover first class postage. Or send \$10 and receive my "KITE-SHOW V" pin too. David Bogle, THE ARTERY, 1411 North 25th Street, Boise, Idaho 83702.

**MEMBERSHIP**

To become a member of the WKA, send your name(s), address and telephone number, along with a check for \$10 per family (outside the U.S., please add \$2(US) for additional postage) to Washington Kitefliers Association, Pacific Science Center, 200 Second Avenue North, Seattle, Washington 98109. Membership includes an official WKA membership card entitling the bearer to discounts at certain kite shops and a one-year subscription to the WKA Newsletter.



(206) 339-9334

Dawn Clark  
Mike Benedict

Single, Dual, and Quad Line Kites  
Customs, Repairs, Accessories

2015 19th Street Everett, Washington 98201

**Support  
Your  
Local  
Kite  
Store!**



GOT MY WING MUNCHED IN A CAR DOOR. I THOUGHT I WAS GROUNDED UNTIL I HEARD GASWORKS PARK KITE SHOP HAS A COMPLETE LINE OF KITE REPAIR AND KITEMAKING SUPPLIES. I'LL BE AIRBORNE IN NO TIME!

Write or call for your parts catalog:  
**Gasworks Park Kite Shop**  
3333 Wallingford N.  
Seattle, WA 98103  
(206) 633-4780

Dealer inquiries  
Accepted

**Great Winds  
Kite Shop** Est. 1972

An outstanding collection of kites, kite building supplies, books, accessories, and other flying things . . .

402 Occidental Ave. S. Seattle, Wa. 98104 624-6886



**City Kites** 206-622-5349

CONNIE MACKENZIE

WE SHIP ANYWHERE - PHONE ORDERS ACCEPTED

ON THE PINE HILL CLIMB / BETWEEN THE PUBLIC MARKET & AQUARIUM

# 1992 Fort Worden

Following is information about instructors and their classes:

## **Dave Bogle and Francis Hall**

Dave is well known in the kiting community for his photographic and artistic expertise. Francis, also a photographer, is well known for his "mail art" Kite Post stamps. They will be teaming up for classes on photography and rubber stamps.

## **Rick Brown**

Mr. Cody himself will take a group of daring kitemakers through the intricacies of America's very traditional kite. This is an advanced class for those who wish to spend most of the weekend on a single kite project. You will first build a 42 inch 'simple' Cody, and follow through to larger and more advanced techniques as time and your interest permits.

## **Dave Colbert**

The delta conyne kite design is one of the simplest, most satisfying kites you can make. This father/son team has a year's teaching experience under their belts, and this class is a sure winner.

## **Deb Cooley**

Applique with excellence. Deb plans an intensive class with lots of one-on-one instruction. If you send her a photo or design idea in advance, she will bring materials to build either a kite or banner. If you wait to design on-site, allow more time and plan to do the pattern-making yourself, with her supervision.

## **Jim Davis**

Last year's famous Optic Rocket designer is bringing us another new kite this year, and he promises that this, too, will be easy to make and fun to fly.

## **Carla Fox**

A professional banner designer, Carla will share sewing, fabric, and design techniques used by the pros. Why is this fabric so cheap? What's the best way to reinforce this corner? Where should I put the grommet? This is a must class for people who want to know about fabric.

## **Bud Koger**

Miniature fighters is Bud's topic this year. Last year, his class was, hands-down, the best organized, and most thoroughly explained of all. This kite is a new size and design, sure to please.

## **Dan Kurahashi**

We are so lucky to have a Japanese kite expert living in nearby British Columbia who can share not only the kitemaking techniques, but the history and folklore of this fascinating culture. Dan will share his knowledge with us in a lecture, followed by a construction class for an Edo kite. When he agreed to do an Edo, he mentioned "it is not an easy kite, you know..." Well, we're brave, aren't we?

## **Makoto Ohashi**

Great painter!! Your chance to gain first-hand knowledge about traditional Japanese kites; he'll teach like crazy, and you'll have a great time!

## **Don Mock**

Why be normal? It's much more interesting to make odd shapes, unique

designs, and innovative color combinations. Trouble is, kites are supposed to fly, and sometimes innovation with shape requires innovation with aerodynamics. All the more fun and challenging to kites.

## **Tom Sisson**

Teaching teachers to get kids into kiting is our ultimate volunteer's favorite topic. He will help you make a great contribution to your community.

## **Gene Smiley**

Smiley will demonstrate the techniques he uses to build extremely sharp knives with exotic wood handles. These knives can be very handy in kite making.

## **Bonnie Stout**

One of the country's foremost decorative painters, Bonnie will guide us through painting techniques for flying colors—brushwork, design, color theory, and much more. She is a delightful teacher, and will be teaching a painted design on a piece of fabric that may be applied onto a larger kite shape. She will also provide one-on-one tutoring to the more advanced painters among us.

## **Elmer Wharton**

Chicago's great kiter will be coming to us fresh from a trip to Japan, and will share his wit and charm. He teaches kite-making frequently, and is enthusiastic about taking traditional methods and making innovative kites. In the lecture class, he will help us learn how to think and design more creatively to make new kite shapes.

## **Rod Yarger and Crew**

Our friends from Eastern Washington will tell all you would-be sport kites the ins and outs of developing a team, choosing a kite, music, choreography, and how to have fun practicing for that big day before the competition judges and audience.



*Kathy Stephison's Rubik's Cube Rokkaku on display at the 1991 Conference*

# Kitemakers Conference

It's time to sign up for the 1992 Fort Worden Kitemaker's Conference being held on March 6, 7 and 8, 1992, at Fort Worden State Park in Port Townsend, Washington. Please register soon, since it is possible that we will sell out early.

Accommodations included in the conference package are dormitory style and primarily single rooms, with only a limited number of doubles available. Rooms will be assigned on a first come, first serve basis to registrants who have paid in full.

\*If necessary, we may use Dormitory #203 this year - this section has no locks on the room doors. Please indicate below if you prefer this building (just across from the classroom facility).\*

Camp sites and Officer's Row houses may be available, and can be reserved by calling the park office at (206) 385-4730. Contact the Port Townsend Chamber of Commerce, 2437 Sims Way, Port Townsend, WA 98368, telephone (206) 385-2722, for information about accommodations in town.

Please Note: Fees for materials/kits are not included for some classes. Information about these fees will be included in your registration packet, and will be payable at the conference.



*View kites of every imaginable type and style, as teachers and students alike hang examples of their craft throughout the Fort as inspiration for this year's classes.*

**ALL ATTENDEES ARE REQUIRED TO PAY THE \$40.00 CONFERENCE FEE.**

**TO REGISTER, PLEASE ENTER THE INFORMATION REQUESTED BELOW:**

Contact Name \_\_\_\_\_  
 Contact Telephone (\_\_\_\_) \_\_\_\_\_  
 Contact Address \_\_\_\_\_  
 City, State, Zip \_\_\_\_\_  
 Number of Persons Attending \_\_\_\_\_  
 Names \_\_\_\_\_

<input type="checkbox"/>	Number of Conference Fees at \$40.00 per person	= \$ _____
<input type="checkbox"/>	Number of Accommodations at \$25.00 per person	= \$ _____
<input type="checkbox"/>	Number of Meal Packages at \$35.00 per person	= \$ _____
	<b>Total Amount Enclosed</b>	<b>= \$ _____</b>
<input type="checkbox"/>	Number of double rooms requested (if available)	
<input type="checkbox"/>	Number of rooms in dormitory #203 (if used, see * above)	

Send registration form, along with a check payable to "Fort Worden Kitemakers Conference", to:

Fort Worden Kitemakers Conference, c/o Kelci Williams, 18030 NE 155th Place, Woodinville, WA 98072.

For registration information, call Kelci at (206) 788-6355.



# Letters

I would like to talk about a member of the WKA who is never seen on the field flying kites. She doesn't design or fly kites, either. She doesn't even discuss kites very much. Yet I can't imagine the club without her; she is one of our most valuable members.

Is someone needed to manage a potluck or picnic? And clean up afterwards? She is the person to ask. Is a member ill? She'll make sure that person is sent a get-well card. When you talk to her, you know that she is actually listening. When she asks how you are doing, it is because she really cares. She is thoughtful, kind, compassionate.

By now, you must realize who I am talking about. Let's hear it for **Jean Sisson!**

by Margaret Holzbauer

*As my kite flies in the sky  
And I'm on a summer's high!  
And as it soars so high above  
I know from the heart that it's God's Love!  
That makes it do the things for me  
That all the world may surely see!  
This fine thing of cloth and spar  
That moves through the air like a shooting star!  
That comes to earth to rest awhile  
And always makes little children smile!  
A kite is a thing for all to see  
And as for the likes of you and me!  
We are just here to hold the string  
Of this beautiful and graceful thing!  
But God is the power that gives it drive  
And makes it seem that it's alive!*  
by John W. Overmier

# WAKAWA

**Washington Kitefliers Association**

an affiliate of the American Kitefliers Association  
Pacific Science Center  
200 Second Avenue North  
Seattle, Washington 98109

**FIRST CLASS**