



Newsletter

January - April 2011

WASHINGTON KITEFLIERS ASSOCIATION

WKA — a nonprofit organization dedicated to helping people know how much fun it is to fly kites!
For the latest news check our website: wka-kiteflyers.org

Windless Indoor Kite Festival 2011

Windless Kite Festival held its — are you ready for this? Well, the festival title was, “*Windless 2011 Indoor Kite Festival 10th Anniversary*”! The longest running indoor competition and performances in the world! **Scott Davis** and **Kay Buesing** and her staff of helpers have done a wonderful job over the years. This year’s event was no exception.

Kite competitions that left the audience spell bound included duals, single line kites and Revolution 4 strings dancing to the music. Hot tricks, performances, including my new Peter Pan skit, “Share Wing” which had kids of all ages flying and acting to the story of Peter Pan.



Penny is in the picture above with the kids that played with Peter Pan.

This photo shows **Amy Doran** and **Lisa Willoughby**

Photos provided by Penny

Great performances by NW Fliers, including **Jerry Cannon**, World Cup Winner, **Paul DeBakker**, Holland National Champion, and **Lisa Willoughby** and **Amy Doran** added even more grace. Of course **Dick Curran** and many of the other kite fliers stand out in their own way, but they are just too numerous to mention.

We ended the night at the Kite Museum for a potluck, awards, bag raffle and all that wonderful camaraderie. We brought are grandchildren who loved being at the event and the kite museum. They took their pictures with their favorite kite, which wasn’t easy, as the museum is filled with so many wonderful kite creations from around the world.

Sunday was much of the same, only different. Yup, each day, each fly was unique. The grand finale was the best! **Spencer Watson**, **Amy Doran** and I flew our Revolution Kites in the center of the gym, while the audience encircled us ~ young and old, new and world class kitefliers flew miniatures, duals, single lines, many that had been made at the event. Great fun was had by all!

Penny Lingenfelter



01/16/11

Here is an excerpt of an email sent by **Butch Harviston**—

Kite Making with Kids at a Church Retreat

Here is a picture of a child flying a sled kite.

My wife volunteered me to make kites with a small number of kids at a church retreat on Saturday the 5th of March.

So we decorated them, taped sticks on and flew.

I have permission to use this photo. If you can use it in the news letter you can. Hope to see you soon.

Editor's note: How many kites do you see in this picture? I love getting notes from people who take the time to make kites with kids. Thanks, Butch, for keeping us in the "loop". And thanks too for his wife doing the volunteering!!



Introducing **Kara Zubal** —The New Raffle Queen"

This was my 1st time to Ft. Worden for a full weekend and my job was helping the **Raffle Queen Marla Miller** with the raffle. I was there to learn all the tricks on how to run it, for this was Marla's last year. You could say I was the **Raffle Princess**. Marla has been running the raffle for many years now and doing a great job of it. I have some "big shoes" to fill. I am so very excited to run the raffle next year.

We had lots of fun this year. It was great to see friends from the beach and to meet many new friends from all over the world. I was a very lucky first attendee by winning the featured kite made by **Peter Schmidt** and the Ft. Worden banner made by **Deb Cooley**. I was just about in tears when **Rob Pratt** said my name. What a raffle! It was so much fun to watch people "shop" for what they would put tickets in for and then to see them win was just priceless. The raffle was huge with over 500 items this year and I hope to see even bigger numbers next year. I want to thank everyone who bought tickets and donated items, I hope to see you next year. I also want to give a big thank you to Marla for passing down her crown and teaching me the tricks to running a great raffle.

Kara Zubal also sent this picture, showing her on the left. Welcome!!



Ed note: both of these pictures are from the WKA New Year's Day kite fly.

“The kite train is **Rick White's**. and here is another picture of a kite flier. Yes, he does have a kite on the end of a line.”

Photos and comments are by **Georgan Curran**.



Libraries Support Kiting!

When we rediscovered kiting, we made nuisances of ourselves at the Pierce County libraries. We checked out every book on anything to do with kiting that we could find. In the process we became recognized as people to go to when anything involving kiting came up.

I held “Kite Making for Kids” workshops several times, using **Margaret Greger's** Conover-Eddy design. The workshops (and the kites) became so well-known in the area that a Tacoma-based magazine called *City Arts* came by and asked us to create a one-page process for building kites.

That was several years ago, but I occasionally get requests to put on another workshop. Then this year I got deluged with requests. It seems the library system has dedicated one Saturday each month to a Librarian's Choice project. Several asked for a kite making workshop so we have them scheduled into June.

The first one was held in a brand new branch building in Milton (near Tacoma). The library is so new even the overhead lighting is still under warranty. We took over the meeting room and I trained two volunteers to teach kids how to make one of **Carl Williamson's** sled design. The event wasn't advertised as well as they might have liked, but we had a slow but steady trickle of kids (and a few adults) who wanted to make a kite. Everyone went away happy except for one little girl who kept getting tangled up in her string. We sorted her out a couple of times and boy, it was so hard to keep from laughing at her.

We have four more of the events scheduled, some in places I've not seen yet. One town's library is in the local community center. That's going to be interesting. I wonder if people not associated with the library will want to make a kite, too. I hope so. All are welcome.

Jerry Graham



Bob Wendt flying the new **Rev** kite he received for his **60th** birthday. What a way to celebrate such a momentous occasion.

Photo by **Georgan Curran**

WKA Board Meeting, February 18, 2011

Location: Home of **Rick White**, 5:00 p.m., dinner break during meeting. Board Present with Quorum: President **Rick White**, VP **Ken Conrad**, Secretary **Bonnie Ecker**, Treasurer **Marianne Austin**, Membership **Sylvia Bernauer**, Editor **Marzlie Freeman**, Products **Glenn Austin**, Special Events **Glenda Kleppin & Jerry Graham**, Security **Scott Slater**, Youth Coordinator **Kristian Slater**

Absent: Webmaster **Morrie Williams**

2010 MINUTES

Read and accepted with changes as follows:

- Lifetime membership for **Carol Lord** includes husband **Dave**.
- Clarification on Kitemakers Conference scholarship is below under Old Business.
- Affiliation dues recorded at being \$25. Corrected to \$15.

TREASURER'S REPORT

Marianne reported WKA has a balance of \$7,851.86 as of Dec. 31 2010. Board went through financial reports with Marianne and accepted them. Marianne filed the annual club registration with the state; cost was \$10.

Action 1: Marianne will look at how balance sheets are formatted and presented to the board and will change them to be clearer for reading, as needed.

Action 2: Board in favor of Marianne hiring **Carol Lord** to file the 990 for 2010 with the IRS. Cost is \$51 (\$25 to IRS, \$26 to Carol).

OLD BUSINESS

1. Club Affiliation Dues

Discussion: **Scott** felt if 50% of a club's membership are WKA members, the club can affiliate with WKA. AOK's affiliate clubs must have 100% of their members as AOK members. Point made only WKA members can access the WKA online newsletter. Point made Bylaws will need to be amended if this takes effect. Point made clubs currently affiliating with WKA, and potential clubs wanting to affiliate, need to know WKA no longer carries liability insurance. WKA now uses AKA for event insurance.

Motion: Any club with 50% WKA membership can affiliate with WKA. **No second:** Motion withdrawn.

Action: Bylaws need to be amended to reflect change of liability to AKA.

2. 2011 Kitemakers Conference Scholarship

Discussion: Clarification needed from the 2010 Minutes. The following is what stands: \$355 check (2011 registration fee \$135, conference meals \$105, dorm room \$110, conference pin \$5) made out to Fort Worden, plus \$50 check made out to the winner (hopefully to be used for class fees). If winner stays offsite and/or purchases meals offsite, the winner's check will include cost of the dorm room and conference meals, whichever or both as applicable.

Decision: Membership chair **Sylvia** emails the winner's name to Ft. Worden chair **Bob Alford** and WKA's treasurer. Treasurer **Marianne** cuts and mails the two checks.

3. 501c3 Status

Discussion: **Bonnie** reported WKA currently 501c6, not tax deductible as a 501c3l. **Bonnie's** checking to see if WKA qualifies for a 501c3 status versus falling under the 501c7 hobby club status. **Rick** favors moving WKA to a c3. **Glenda**

recommended a book from Nolo Press, *How to Form Your Own Nonprofit Corporation*.

Action: **Bonnie** and **Glenda** will move this forward. **Bonnie** will look for the book and check the IRS website for more current info, & will check if WKA needs to have the *Articles of Incorporation* changed as a result. Bylaws will need to be amended.

4. Newsletter

Marzlie is continuing as WKA newsletter editor. **Happy to have you back!**

Action: *Everyone*, be sure to send articles and photos to **Marzlie** so she's not doing all the work in finding stuff to put in the newsletter.

NEW BUSINESS

1. WKA Event Introduction

Bonnie asked about creating a paragraph for event announcers to use when introducing WKA. She was approached by **Bob Wendt** at WSIKF for such a paragraph.

Decision: **Rick** says use statement on WKA flyer and website.

2a. Products – WKA Vinyl Window Stickers

Discussion: **Rick** discussed exterior window stickers (like one vendor **Don** made for **Rick's** van that are great for tinted windows, but requires the Board to do the cutting) and interior window clings (not visible on tinted windows from the outside).

Decision: Topic tabled until info compiled.

Actions: **Rick** will check if another vendor can make the cut-out stickers, and will compile info for getting window clings.

2b. Products – WKA Vinyl Banner

Action: **Rick** will check cost to get 3 additional banners made for Board members' use.

2c. Products – WKA Clothing/Apparel

Discussion: **Glenn** reports he sent the WKA logo to vendor **Dave** of Cafe Press who can do various products without a minimum order. **Rick** displayed the WKA logo embroidered on the front/back of jacket he ordered from vendor **Mary Ostey**. She doesn't make a profit from orders, but is willing to do the embroidery to gain exposure of her skills.

Actions: **Glenn** will check with **Mary** on cost for doing hats & t-shirts. **Rick** will check with **Mary** on cost for doing patches.

2d. Products – Pins

Discussion: **Glenn** reported he has 40 sets each of the 2010 WKA & Lasagna Feed pins. They are not selling.

Decision: Reduce quantity ordered to 30 of each pin. This includes 1 Lasagna pin and 2 colored WKA pins.

2e. Products – AKA Mass Ascension Pins

Discussion: WKA provided 200 Mass Ascension pins for AKA's 2010 convention. **Rick** has 8 sets plus 3 loose WKA pins plus 1 set from 2009. What do we do with them?

Decision: 1 set on Doggy Dude; 1 set for WKA banquet auction at WSIKF; 1 set for Kite Museum banquet auction at WSIKF; 1 set to Kite Museum display board; 1 set to PCKA auction or raffle at WSIKF; 1 set for Ft Worden auction; sell remaining sets and pins.

2f. Products – AKA 2011 Convention Mass Ascension Pins

Discussion: Does WKA want to sponsor pins for 2011 convention in New Jersey? Board determined it doesn't provide a benefit to WKA when on the east coast. Five pins make up a

(Continued on page 5)

(Continued from page 4)

set and it's usually hard to get a slot, although that wasn't the case for the 2010 convention.

Motion: If WKA is requested to sponsor a pin, Rick has discretion to accept or not to sponsor, up to a dollar amount reasonable to the cost it was for 2010.

Note: WKA spent more than it took in for 2010. This was attributed to the color newsletter masthead for the cover page.

No second: Motion withdrawn.

Action: Rick will send email to the Board for a decision when time comes.

3. Insurance

Rick reports he cancelled the WKA insurance with Don Swanson Insurance 10 months ago and is still waiting for a reply. Don passed away and his son, Mark Swanson, says WKA needs to show proof of insurance dated back to when WKA affiliated with AKA in order to get the \$400 premium refunded. AKA **Mel Hickman** is sending proof. Rick will mail to Swanson Insurance.

Update 2/23: Swanson Insurance received WKA's proof of insurance.

4. Memorial Banner

Sylvia reports WKA has 50 members who have passed on. Bonnie discussed her ideas for a banner/flag rather than an arch. An arch could only be flown with the wind and viewers would not be able to see members' names. A banner provides all day viewing on the ground. Names can be added. Probably 2-3 or more banners.

Action: Committee of Bonnie, Ken Conrad, Sylvia Bernauer, and Marzlie Freeman was decided in 2010. Bonnie has the tasking. Ken will do the digital printing of names.

5a. WSIKF - Recycling at Banquet

Bonnie's pushing WKA to set more of a presence in reducing, reusing, recycling and rethinking how the club operates. For example, tickets and raffle bags will go home with Bonnie and Ken for recycling and reusing. Bonnie didn't win on her proposal for a different raffle method, but see 5b. below for info on the raffle process.

5b. WSIKF - Banquet Raffle Process

2011 process will have donors write item description and their name (as donor) on paper bags instead of just leaving the item on the table for others to write. Winning tickets are pre-drawn prior to raffle and stapled onto bag with name facing bag (for element of surprise). Remaining tickets stay in bag. Item and bag with ticket is given to announcer to read winner's name. Runners take item to winner. Bag with all tickets placed in a box to go home with Bonnie and Ken for recycling and reuse.

5c. WSIKF - Banquet Microphone for Announcer

There is a microphone available for use in the hall. It will be set up for use during the raffle and for announcements.

5d. WSIKF - Banquet Special Guests

Special guests attending banquet are presented with a Kids Day pin from Glenda, and their dinner is at no charge.

5e. WSIKF - Banquet Duties

Just for clarification, Sylvia and Marianne coordinate dinner ticket sales at the front door. All money collected from dinner tickets, live auction, and pin sales (Glenn) is given to treasurer Marianne for accounting. Voting ballots are mailed to secretary Bonnie before the banquet and onsite ballots given to Bonnie for tallying and recording.

5f. WSIKF - Manning a WKA booth

Discussion: Bonnie mentioned **Richard Deerner** mans the AKA table in the red/white tent and has offered to share the space with WKA. This is a great opportunity to pass out WKA flyers and old newsletters (if available) and to sell products WKA might have on hand.

Action: Bonnie will ask webmaster Morrie to add a blurb asking for volunteers to man a WKA table in the tent during the week with AKA and/or in the WKA tent on the beach over the weekend.

5g. WSIKF - Annual Request of Hall Use

Action: Bonnie will file the annual request for the use of the hall.

Update: Request for hall use has been emailed to **Becky Davis**.

GOOD OF THE ORDER

1. New Members

Rick played host to members of "Kites For Kids" at his home. As a result, WKA has two new members. **Way to go Rick!**

2. AKA Conference Calls

Bonnie reported from the AKA Convention held in 2010 that AKA offers a free conference call system for clubs to use. No dropped calls. It's for connecting an unlimited number of people living in various locations around North America onto a phone call. AKA pays a monthly fee to have it.

MEETING ADJOURNED 9:50 p.m.

Reported by **Bonnie Ecker**, Secretary

WKA Board Members

President: **Rick White**

Ssragtop@aol.com

Vice President: **Ken Conrad**

ken@greatwinds.com

Treasurer: **Marianne Austin**

quillback@clearwire.net

Secretary: **Bonnie Ecker**

whrlwind@comcast.net

Membership: **Sylvia Bernauer**

dbrn1@earthlink.net

Education: **Ken Conrad**

ken@greatwinds.com

Special Events Coordinators:

Glenda Kleppin **Jerry Graham**

gmakleppin@usa.net / jlgraham1@usa.net

Safety Chairman: **Scott Slater**

Products Coordinator: **Glenn Austin**

Youth Liaison: **Kristian Slater**

Webmaster: **Morrie Williams**

mmawilliams@comcast.net

Newsletter Editor: **Marzlie Freeman**

marzlie@gmail.com

NWSKL events for this summer are coming up

It's time to get your kites out, check lines, rods, music etc.

The many kite events will be starting soooooon!!
check out our website **NWSKL.org**
You'll see many events that will be exciting and competitive.

Click on 2011/2012 Events...
check out the locations, events, etc.
then mark these dates on your calendars
The Precision figures will be posted on the website soon.

There was a great event on Sat/Sun March 26 - 27 in Lincoln City, Oregon. This is a fabulous Indoor kite fly show, kite making, indoor kite lessons and practice time and much more. There was an amazing lineup of fliers and entertainment and activities.

The NWSKL Annual Meeting is also coming up —date yet to be determined. Do you have any nominations for the Board? Good news...**Linda Hayes** has decided she enjoyed her term as President and she wants to do it again!!

How's that for a great way to start off the year??? Now if the rest of the Board had as good an experience, maybe we all will want to serve for another year? Is there anyone who wants to volunteer to be on the Board? What position?

Since gas prices are going up again, and since the phone conference meeting was so successful last year we will have a "Spring Ring" again this year so anyone can attend without even leaving—home—or dressing up—or having to put on sun tan lotion—or a rain coat!

Keep flying while we get our kites lined up and ready to fly.

Will keep you advised of what's happening and when!!!

Lisa Root
Secretary
NWSKL

Editor's Note: Because of all that has been going on here at home, getting ready to move back to Oregon, this meeting news may not be timely. I am sorry and I hope to be much more timely with the news for the next issue as I expect to get into my Sheridan Oregon house right after May 6.



WKA/Sisson Fort Worden Scholarship Program

It is not too early to send in a postcard or note to enter the August 2011 drawing for the March 16-18, 2012 Fort Worden Kitemakers Conference. We are sure it will be another great conference with great kites, and as always a great way to get to know fellow kite makers.

The scholarship was named for one of the club's **Founding Fathers** who wanted everyone to have the experience of attending this conference. The scholarship will cover registration, meal cost, dormitory room cost, and the annual conference pin. Included is some extra intended to help cover the cost of classes.

Applicant must be a current member of WKA at the time of the drawing and conference. One entry per member who would attend conference.

Mail to our mailing address before Long Beach Kite Festival week. Drawing is to be held at our annual Lasagna Dinner on Wednesday August 17, 2011.

If you have questions, please contact **Sylvia Bernauer**,
dbrn1@earthlink.net
or



This note from the Kite Museum is for the donation sent as a result of the WKA/PCKA holiday party and raffle held in December..

Dear PCKA,
Please accept our appreciation for your end of year donation that supports the World Kite Museum's programs and events. Each year this helps us provide all ages fun kite activities and a broader understanding of the world of tethered flight.
You are an outstanding example to your community and your hobby.
Thank you, thank you,
Lay Buising

Notes from the Prez



It's time for another summer of kite flying and fun, and yes, work too. For your WKA board members, it's hard to get the balance right between the work and the play. Each year it seems I find myself trying to make it more fun, and less work. If you know the secret, please let me know.

Your WKA board had another board meeting last month to plan and strategize how to improve the club. They came up with a lot of ideas, and suggestions. We look forward to implementing them, and improving the WKA in many ways. Please read about it in this newsletter, and send any comments or suggestions to us. We need your input for the success of the club!

I have decided I have a motto; "If no one wants to do it, it doesn't need to be done!" I find this applies to more than I originally thought. The newsletter, for example, needs articles. It needs your every day kite related articles. Even if they are only remotely related. Like, I went to Las Vegas last week, and I saw a picture of a kite flying over the Eiffel tower. . . . Hummmm. How about someone creating a crossword puzzle for every issue of WKA, using kite related words. . . I can't do that. I don't know enough words. Anyway, you get the idea. We need help with the newsletter. The best help is those of you who are having fun out there, and can send in the pictures of that fun, so we can all enjoy it. If you did a "Kites for kids" Please take a picture, and send it to us. You don't have to write an article about it. Just the picture is great! If we lose any more articles, then we may lose the newsletter altogether. Also, please send a little thank you to Marzlie for her fantastic job at putting this together!

I am hoping this gets to you before April 9th. We are having an impromptu kite fly at the Kingston Ferry terminal. It's actually in the park next to it. The town has invited us to be part of their annual festivities. A BIG thanks to **Scott Hartley** for showing up last year, and putting on a colorful show for the folks there last year. He was the only one, but they loved it. Let's all come out and have a little fun flying kites. We will have a kites for kids booth there as well this time. (*Editor's note: I am sorry I did not get this done before that date—but due to my circumstances I was not able to get it done in time—however, with Sylvia's able assistance, a note was sent out to members letting you know what was going on that day—Thank You Sylvia and for the report on page 13!*)

This year I suspect I will attend even more kite flies than ever. A few have dropped off, but I have attended a few more each year. Another thing I see happening is — we are getting a **lot** more phone calls and emails from people who want to sponsor "kites for kids". I have been contacted twice already this year to do exactly that. As a result two people have joined our club. **Welcome to Michele Alston and James Boyd.** Don't forget to send us those pictures of the "Kites for Kids" fun you had! **Please!** The other contact has not yet had their event, but they will, and we will pass that on when it does.

And finally, I would like everyone to think about throwing your name into the hat for WKA President this time around. If you would like to have a lot of fun running the oldest and most successful kite club in the nation, please step up and help us out. Your WKA board is so very easy to work with. It has been very fun and easy for the past 6 years. I promised myself that if I took this on, I would not do any more than I was already doing. I almost accomplished it. I do very little. This club runs itself. Really! But I realize it would do a little better, if someone had just a little more time, and could organize things just a little better than I do. I have so little time, it isn't funny. Someone has to build those 737 airplanes, and I was crazy enough to hire in there and be selected to help do that. And they have gotten crazy this year, and doubled their output. . . . Again. I think they want every household to own at least one. Whew!

Keep the wind to your back, and go fly a kite!

Rick White, WKA President

Two Less Kitters in our Kiting Family

John Freeman passed away in December 2010

Jerry Fincher passed away in January 2011

They are both sorely missed

Kite Clubs

Associated Oregon Kites

Contact: Deb Cooley
Email: tucoolkites@earthlink.net
PO Box 25616, Portland OR 97298
Membership includes 5 issues per year newsletter

Ben Franklin Kite Society

Contact Larry Zilar
509-627-6751 or email: zilarlm@charter.net

Lavender Winds Kite Club

Brian Bradley
email: KiteBear@aol.com
meet 2nd Sunday, noon in Long Beach, WA

Lilac City Wind Chasers

Contact Bill Cox
509-327-7974 or
email: cxbil@aol.com
Starting in June meet first Sunday of the month in Sky Prairie Park, W. Strong Rd, just east of N Five Mile Rd, Spokane, WA

NW Fighter Kite Association

meets 3rd weekend of every month, location varies.
More info: www.fighterkites.org

Northwest Sport Kite League

Contact Bud Hayes
email: bud@thehayesplace.com Calendar at www.nwskl.org

Peninsula Breeze Blenders

Contact Bill Rogers or Lisa Ryan
email: lisaryan@mail.com or billrogers@earthlink.net
Meets 2nd Wednesday every month, Fire Station, Loxie Egan Blvd.

Pierce County Kiteflyers Assn

President: Bob Wendt
Puyallup, WA 98374, 253-848-6325 (home)
staff@pcka.info Calendar at www.pcka.info (see pg 9)

Squalicum Kite Flyers

Contact Mike Button 360-733-7380 email: kite102@aol.com
Fun fly every Wednesday & Sunday afternoons during daylight savings time until sunset
Zuanich Point Park, Squalicum Harbor. Bellingham WA

Washington Kiteflyers Assn.

Contact: Rick White

email: ssragtop@aol.com

Address on back page of newsletter
Membership includes 5 issues per year newsletter

Westport Windriders

Contact Marla Miller
253-752-7051

email: kytpepl2@aol.com

meets 4th Saturday every month at Grayland Beach,
followed by potluck at Willapa Grange Hall

Whidbey Island Kite Flyers

Contact Allen or Marjorie Taylor
360-678-9358

Meets 3rd Saturday Apr - Oct usually at Fort Casey

American Kiteflyers Association

Contact Theresa Norelius - Regional Director
360-904-1424

email: region10@aka.kite.org Regional: www.aka.kite.org/region10 or www.aka.kite.org

British Columbia Kiteflyers Assn.

PO Box 755
101-1001 W. Broadway
Vancouver, BC Canada V6H 4E4
Membership: \$20 (CDN)
Includes quarterly newsletter
www.bcka.bc.ca



The Newsletter of the **Washington Kiteflyers Association** is published five times yearly. Subscriptions are part of membership in the WKA.

The WKA Mailing Address is:

**Washington Kiteflyers Association
Pacific Science Center
200 2nd Ave N
Seattle, WA 98109-4816**

Editor: Marzlie Freeman
marzlie@gmail.com

Non-solicited articles are always encouraged. Notification is required if contribution is submitted to any other publication. Return of materials must be requested along with a stamped self-addressed envelope.

Advertising rates and information sheets are available upon request.

Accuracy of contents rests with the individual contributor, the WKA Newsletter being held harmless in the event of any error. The views presented in the WKA Newsletter are not necessarily the views of the editor, or the Washington Kiteflyers Association.



This is a Thank You note from the Food Banks we donated to as a result of the PCKA/WKA holiday party and raffle December 2010—



Food Banks

Providing food for individuals in need with compassion, dignity and respect

Administrative Office:

FISH Food Banks
621 Tacoma Avenue S., Suite 202
Tacoma, WA 98402
Phone: 253-383-3164
Fax: 253-383-0964
info@fishfoodbanks.org
www.fishfoodbanks.org

Bread Box/South Tacoma

Tacoma Christian Fellowship
5010 South G St.
Tacoma, 98409

Edgewood

Mountain View Lutheran Church
3505 122nd Ave. East
Edgewood, 98372

Graham/South Hill

Holy Disciples Catholic Church
10425 187th St. East
Puyallup, 98374

Jackson Street

St. Andrew's Episcopal Church
7410 South 12th St.
Tacoma, 98465

Lakes Area

United Methodist Church
at Lakewood
6900 Stellacoom Blvd. Southwest
Lakewood, 98499

Northwest Tacoma

Mason United Methodist Church
2710 North Madison St.
Tacoma, 98407

Southeast Tacoma

Lutheran Church of Christ the King
1704 East 85th St.
Tacoma, 98445

December 16, 2010

Pierce County Kite Fliers Assoc.
18918 - 80th Ave Ct East
Puyallup, WA 98375

Dear Friends:

We are so grateful for your support! Thanks to your generosity we are able to keep up with the growing demand during these turbulent economic times. From January through November, with your help, we have served over 325,000 Pierce County residents.

Your gift of \$840.00 to FISH Food Banks of Pierce County in December 2010 is truly making a difference in someone's life! You are providing nutritious food to families who are struggling. You are a good neighbor, sharing your blessings with others.

Yesterday we received a new donation with a note saying, "Please use this in appreciation for your help in the past". In the last few months we have received numerous notes and gifts from individuals who previously needed help. It is heartwarming to read these notes.

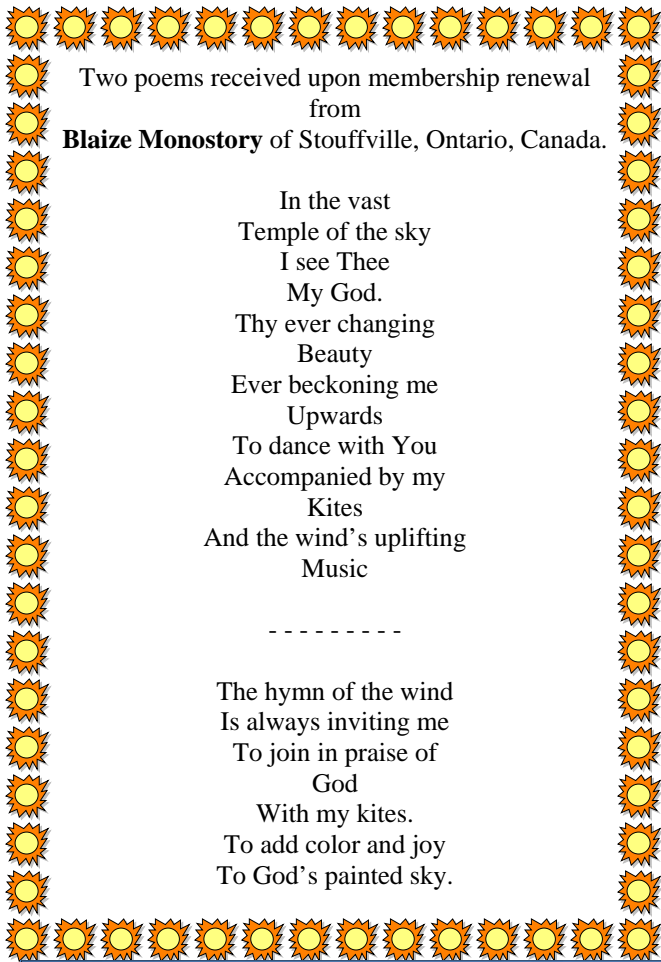
It is my hope that your holidays are filled with warmth and happiness!

Please retain this letter for your tax records. No goods or services were exchanged for this donation.

Thank you again for your generosity.

Sincerely,

Beth Elliott
Executive Director



Two poems received upon membership renewal
from

Blaize Monostory of Stouffville, Ontario, Canada.

In the vast
Temple of the sky
I see Thee
My God.
Thy ever changing
Beauty
Ever beckoning me
Upwards
To dance with You
Accompanied by my
Kites
And the wind's uplifting
Music

The hymn of the wind
Is always inviting me
To join in praise of
God
With my kites.
To add color and joy
To God's painted sky.



These two photos taken during the New Year's
Day fly are from Sylvia Bernauer
No kites in the trees that day, but still a nice
sunny day to enjoy life, and maybe have a short
nap?



Report on Fort Worden 2011

This year's Fort Worden Kitemakers Conference was great as always. This was my 12th year, if I am counting correctly. I think I am hooked! It seemed to me we had a lot of new attendees this year. And I even met several of them this time. It's good to see new people come in, even though several regulars didn't make it this year.

The transition of the raffle staff is progressing very well. I really like the new folks stepping up and doing such a good job with it. They really had a good teacher. It will be almost impossible to fill **Ron and Marla's** shoes, but I am sure that **Kara and Barb** will do terrific! They have already proven it this year!

I wasn't able to get into **Peter Schmidt's** class, because it was full by the time I registered. (But I did get into **Mark Engbaum's** Shirt and Tie kite class! Yippee! I stopped into a few of the other classes, to see what was going on, and took some pictures. They all looked like they were so tired from staying up until after 1 a.m. to finish their kites! I was so glad this year I was able to finish mine on time! I needed my beauty sleep! I checked out **Tom McAlister's** miniatures display. WOW! He really knows how to set up a display in his classes. He goes the extra mile to entertain everyone. Remember those bunny ears last year? Great photo's came from that one!

The Titanium kite looked very sleek, and very fast. The Sky Window was one of the more difficult kites to make, but the rewards were really good when you got done. **Ken Conrad's** Fractal design caught my lens, and I can't wait to see it flying soon! **Mark Engbaum** and **Rob Pratt** hosted a class to show off some really cool toys that people make to help them with their kite making. They were incredible. There were cutters, benders and little irons, and things that do all three. Wow, where do they get these ideas from? Incredible!

Almost as fun as the classes, no, make that more fun, (because Marla's probably reading this) are the auctions each year. For the fun of supporting the conference by buying tickets for the bag raffles, you can win lots of really cool things! I won that really cool laminated wooden winder everyone was drooling over, and a 1 of 6 special pin. Lucky **Launny Herriges** won Mark's star train and that big Beautiful Delta Conyne. That kid is sure lucky! Or, . . . maybe he just donates a lot?? Hummmmm. On another note, who was that purple looking kid in that baby bonnet? He looked a little homely though, with that beard . . . Just a reminder, if you would like to teach a



Guess!!

class next year, remember you have to submit your request by the end of May to be considered. I encourage everyone to think about it. All you have to do is put together the plans of a kite you have designed, built and hopefully flown successfully and send it in to the Fort Curriculum Committee. They are always looking for new teachers to come and teach. It is also the cheapest way to attend the conference. As a teacher, the conference pays your food, bunk, conference fees and more! All you have to pay is any classes you want to take on the days you are not teaching. Go for it! I wish I had gone around more and taken more pictures, but I was lazy this year.

Let's recap: Great year, Great raffle, Great classes, Really cool kites, Great displays, shirts and ties, purple things, titanium kites, window kites, small kites, large kites, awesome new toys, homely kids, **tall people, short people**, really lucky people and fractals. Speaking of fractal, I will close this fragmented article now. Thanks for all of you who were there and made it so fun for everyone!

Rick White



Holm Struck and Marla Miller

Cliff Pennell & Peter Schmidt



Mark Engbaum and his ties

Kid's Fun Fest 2011.

Every year, the Fort Lewis Morale, Welfare, and Recreation (MWR) Office holds a Kid's Fun Fest, usually on the first Thursday in April. This year it was on the last Thursday in March and was back in the newly re-modeled skating rink. Now it's called the Army Family Covenant Center (AFC) and is a great improvement over the former Sprinkler Skating Rink.

The whole purpose of the event is to boost the morale of the families of Fort Lewis soldiers. Several years ago, since we consider kites to be uplifting (pun intended) we suggested to the MWR that we, WKA & PCKA, could teach kids how to make and fly kites. We chose kites that were simple, easy-to-build, and good fliers. The MWR people were intrigued and made a space for us. They had sort of an idea about what we could do because we put up a great display of kites and kiting at the Armed Forces Day the year before. (That was the time **Freda**, our illustrious leader's Mom, attacked a nearby flag pole with a Red, White and Blue Rev. Great fun!)

The first year at the Fun Fest we were in a very crowded booth that was about twenty feet from the performer's stage. They had a theme song that was every bit as insidious as Disneyland's "It's a small world". And they had the volume cranked way up. We protested the location in the after action critique and they promised that we would be in a different location next year. (And we were! It was much better.)

That first year, **Marla Miller**, **Glenda Kleppin**, and I caused a major traffic jam because the booth was so popular. We were amazed at how polite, patient, and restrained the kids were. We had no idea how many kite kits to bring and severely underestimated the interest. We used up everything we brought and were reduced to giving out plans. When we ran out of plans we gave away newsletters. We finally ran out of the newsletters a few minutes before the event closed. Wow! I sort of remember that we made something like 76 kites. The actual figure is probably in a back issue of the WKA newsletter but that's close enough. After all, it was Government Work!

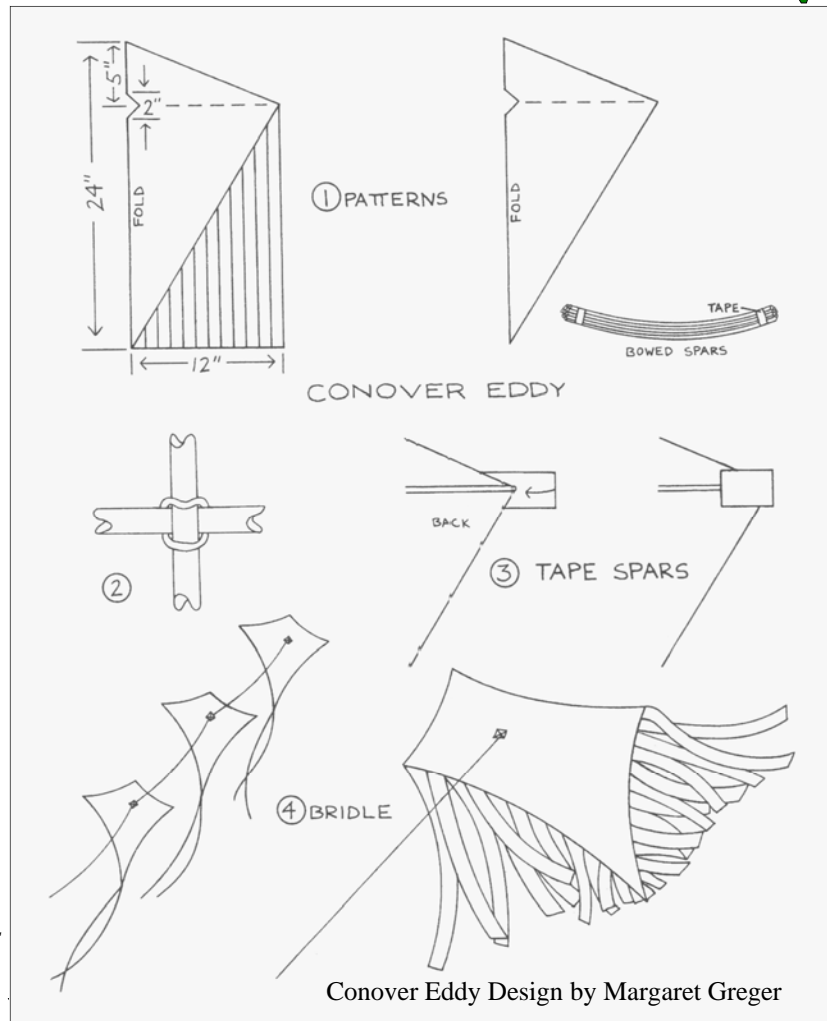
The first couple of years we helped kids build the Conover-Eddy kite that **Margaret Greger** designed. It was too labor intensive for the size of the crowds we attracted so we looked for something simpler. Enter **Carl Williamson**, who lives in Pacific Beach and has caused thousands of kites to be made. He proposed making his simple sled design, derived from **Margaret Greger's** book "*Kites*

for Everyone". It is quick and easy to build, flies in very low wind, has a wide wind range, and uses the materials very efficiently. Carl builds big bunches of the kits and supplies the World Kite Museum's Kid's Kite Making Tent at WSIKF. He also holds court in the Pacific Beach State Park, where he helps kids build kites all summer long. (Hmmm. Maybe year-round, too. I don't know.) We adopted his design and the number of kites built climbed quite a bit.

This year saw the number of helpers down a bit from last year. **Scott Slater**, **Casey Shearer**, **Carl Williamson**, **Glenda Kleppin**, and I helped 176 kites get built. Not as good as last year when we did over 200 but not too shabby. The crowd was a steady flow and once again the kids were amazingly polite and patient.

We had a few minor quibbles about the booth we were in, but they were addressed in our after action report. (The Army is big on after action reports. The reports help sort out what was good and not so good about an event.) We all had a great time, made lots of kids happy, and went home flat out exhausted. It took Glenda and me a couple of days to recover.

Jerry Graham



KITES OVER KINGSTON

For the 4th year, the Chamber of Commerce of Kingston and Windemere Realty have partnered to put on a family day of kite flying fun at Mike Wallace Park, which is next to the Kingston Ferry Dock. This year it was held on Saturday, April 9th.

Prez **Rick White**, his wife **Terry**, and **Launny Herriges** offered me a ride up to the event. I thank them very much for that.

Rick was very organized with a pop-up tent and supplies for making kites with kids. As soon as the tables were organized a line was already forming! Rick, Launny and Terry were busy the whole time until the supplies ran out. At least 125 kites were made and flying that afternoon. **Glenn and Marianne Austin** came too. Marianne helped with the kite making. It's always great to have many hands to help in that production!

Scott Hartley, & Mike and Kay Woodring came and set up displays of banners and kites that added color to the field along with Rick's WKA banner and Launny's fish and other items.

Penny Lingenfelter organized a Peter Pan skit, complete with costumes for pirates, Indians and fairies. The kids looked cute in their outfits as they followed Penny's directions in acting out their parts in the story.

The festival organizers again held a children's kite parade and many of them joined in and had a great time. This year they had a DJ who provided great music all afternoon. It actually was a fairly windy day, but cool. It was great to see a lot of kites in the air.

Sylvia Bernauer



WKA members provided a lot of color to this event. It looks like the kids had a lot of fun., and they certainly enjoyed the kites.

Photos by **Sylvia Bernauer**

WASHINGTON KITEFLIERS ASSOCIATION
Profit & Loss Statement

Cash Basis January through December 2010

	January – December 2010	
<u>Income</u>		
DONATIONS		35.00
DUES INCOME		1620.00
INTEREST INCOME		131.50
<u>NEWSLETTER ADS</u>		
N/L ADS PREPAY	-100.00	
NEWSLETTER ADS - Other	<u>450.00</u>	
Total NEWSLETTER ADS		350.00
<u>PRODUCT SALES</u>		
2010 PINS	<u>367.00</u>	
Total PRODUCT SALES		367.00
<u>WSIKF</u>		
WSIKF LASAGNA FEED		
AUCTION	180.00	
RAFFLE	1,250.00	
WSIKF LASAGNA FEED – Other	<u>516.00</u>	
Total WSIKF LASAGNA FEED	<u>1,946.00</u>	
Total WSIKF		<u>1,946.00</u>
Total Income		<u>4,449.50</u>
<u>Expense</u>		
<u>GIFTS/GRANTS</u>		
GIFTS/GRANTS/FORT WORDEN SCHOLARSHIP	405.00	
GIFTS/GRANTS - Other	<u>579.00</u>	
Total GIFTS/GRANTS		984.00
<u>INSURANCE</u>		437.00
<u>MISC EXP</u>		
AKA TROPHY SPONSORSHIP	655.00	
CHRISTMAS PARTY	130.00	
WKA WSIKF PARTY	706.47	
WKA WSIKF PARTY/RAFFLE	26.43	
MISC EXP - Other	<u>30.00</u>	
Total MISC EXP		1547.90
<u>OFFICE SUPPLIES</u>		30.25
<u>POSTAGE</u>		
MISCELLANEOUS	139.70	
NEWSLETTER	<u>298.48</u>	
Total POSTAGE		438.18
<u>PRINTING</u>		
NEWSLETTER	<u>2,782.88</u>	
Total PRINTING		2,782.88
<u>PRODUCTS</u>		
PINS		
2010 Lasagna Feed	261.90	
2010 WKA PINS	<u>320.10</u>	
Total PINS		582.00
Total PRODUCTS		582.00
<u>SUPPLIES</u>		
COMPUTER PROGRAM	<u>162.55</u>	
Total SUPPLIES		162.55
<u>TAX PREP</u>		51.00
<u>WEB SITE EXPENSES</u>		<u>175.92</u>
<u>TOTAL EXPENSE</u>		<u>7,191.68</u>
Net Income		<u>-2,742.18</u>

Washington Kitefliers Association

An affiliate of the American Kitefliers Association

Join the WKA & share the fun! Benefits include our quarterly newsletter, a membership card which entitles you to a 10% discount on kite related items at participating kite stores, entry to members-only drawing for a scholarship to the annual 3-day Fort Worden Kitemakers Conference, & information about special events in the Northwest kiting community. Membership per household in U.S. is \$15.00/year, outside U.S. \$20.00/year. Fill out application, return it with a check or money order payable in US funds to WKA.

MEMBERSHIP APPLICATION

Mail to:

**Washington Kitefliers Assn
Membership Director
Pacific Science Center
200 2nd Ave N
Seattle WA 98109-4816**

Name _____ Spouse _____

Address _____

City/State/Zip _____

Visit us on the Web at
<http://wka-kiteflyers.org>

Phone _____ E-Mail _____

Names of Other Household Members (Include different last names):

Calendar of Events — For more calendar information: <http://wka-kiteflyers.org>

May 14-15 RockawayBeach Oregon Festival
Chamber of Commerce organizer
May 21-22 Old-Fashioned Kite Fun-Fly by LadyKiteFlyers
Rockaway Beach Oregon
May 28 - 30 3rd Annual Quincy Kite Festival Quincy, WA
June 25 -26 Lincoln City Oregon Summer Kite Festival
July 8-10 Westport Windriders Kite Festival Grayland WA
Aug 15-21 WSIKF Long Beach WA prepare for a fun week!!
Oct 8-9 Lincoln City Oregon Fall Kite Festival

2012

Jan 12-15 Oregon Kitemakers Retreat,
Rockaway Beach OR More info to come
March 16-18 Fort Worden Kitemakers Conference,
Port Townsend WA www.kitemakers.org

Please drop us a line if you have events that need to be added to the calendar. Then we all will be in the know!

Editor's Notes—

Well, here I am finally with the first newsletter of 2011 put together. I am sorry it is late, but with the task of selling my home and then finding a home to move to in Oregon in order to be with my daughters sort of tied up a lot of my time. I expect to be all moved in after the beginning of May. I'm hoping for a much less stressful time. My life is on a new trail and I'm slowly finding my way along it.

I do enjoy putting the newsletter together . Save up your kiting stories, take lots of pictures and then remember to send them to me for the newsletter when I send out my next "asking letter". Thank you for being my kiting family, I truly appreciate all of you and here's hoping for a good summer and the rest of the kiting calendar year.

I have a special request of you members. My oldest daughter wants to make a scrapbook of pictures of her dad (John Freeman). If you have any photos of him at kiting events, please send them to me in a high resolution as it will be an important keepsake for us. It will be great to have this memory book of the best friend in my life and in my daughter's lives.

Marzlie

Email address marzlie@gmail.com

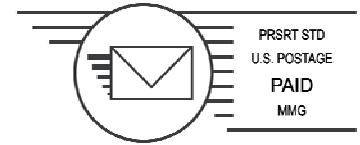


New Member Report

Alston, Michele	Seattle WA
Goodman, Jim	Seattle WA
Schmittler, Scott	Bremerton WA

Welcome to our kiting family.
<http://wka-kiteflyers.org>

WASHINGTON KITEFLIERS ASSOCIATION
Affiliate of the American Kitefliers Association
PACIFIC SCIENCE CENTER
200 2ND AVE N
SEATTLE WA 98109-4816



Printed Material Newsletter

The last page photo——



Bonnie and Dan Ecker at the New Year's Day fly, launching the Sode Kite made by **John&Marzlie Freeman**. First we made a spiral circle bargello design at home and then turned it into a kite in a class taught by **Sam King** at OKR2010. They won this kite during WSIKF from the World Kite Museum annual beach raffle.

Photo by **Sylvia Bernauer**



**More Than Your Average
Kite Store**

*Single, Dual & Quadline Kites
for all Skill Levels. Repairs,
Parts, Excellent Lessons,
Flying Toys, Rubberband Guns.*

☺

*Andy, Brenda & Tom
360-289-4103
P.O. Box 181
172 W. Chance A La Mer
Ocean Shores, WA 98569
www.oceanshoreskites.com*